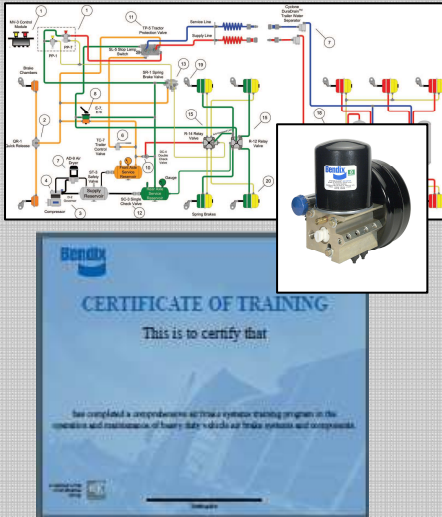


# 2011 Knorr-Bremse Australia Brake Training School

## Course Outline:



**Overview of Air Brake Systems**  
**Foundation of system design**  
**Definition of 'safe air brakes' on a new vehicle**  
**Compressors & governors**  
**Air Dryers & principles of operation**  
**Brake valves and dual brake system**  
**Relay valves, check valves, park control valves, spring brake valves**  
**Service & park applications**  
**Disc & Drum brakes**  
**Trailer systems**  
**ABS & Traction control**  
**Diagnostics**

**FOR MORE  
INFORMATION  
CALL 1300 309 991**

## The Knorr-Bremse Air Brake Training School is *BACK*

The two day curriculum is tailored to both new and experienced technicians providing students with valuable technical knowledge. Beginning with the fundamentals of compressed air, classes cover the description, operation and service of major air brake components of dual air brake systems, as well as anti-lock braking.

Conducted by our Sales and Engineering team, in addition to classroom lectures, operational demonstration boards are incorporated to demonstrate the components and how they relate to an air brake system

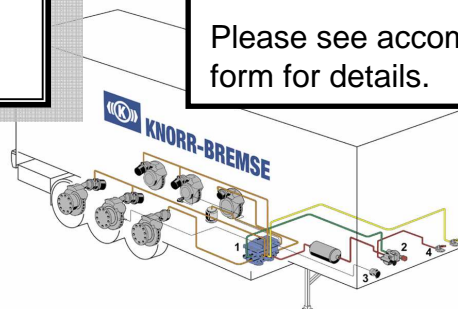
LEARNING  
LEARNING CURVE

The cost of the Training School is \$300, all course materials and lunch are included.

Courses will be held in:

Brisbane	20-21 Sept
Sydney	25-26 Oct
Melbourne	22-23 Nov

Please see accompanying registration form for details.



# 2011 Knorr-Bremse Australia Brake Training School

## VENUE INFORMATION - 2011

<b>Brisbane</b>	<b>Sydney</b>	<b>Melbourne</b>
September 20 – 21	October 25 – 26	November 21 – 22
Souths Sports Club Mortimer Rd, Acacia Ridge. QLD. 4110	Knorr-Bremse Australia Head Office 1/2D Factory St Granville. NSW 2142	Chifley Doveton Hotel Cnr Doveton Ave & Princes Hwy Dandenong. Vic. 3177

To register for a class please complete the detail below and fax back to

**(02) 8863 6151**

## TRAINING SCHOOL ATTENDEES

Please register the following individuals for:    **BRISBANE** **SYDNEY**    **MELBOURNE**    (please circle)

1. .... 2. ....  
3. .... 4. ....

## YOUR CONTACT INFORMATION

Contact Person: ..... Company Name: .....

Address: ..... Suburb: .....

State: ..... P/Code: ..... Phone: .....

Fax: ..... Email: .....

## PAYMENT INFORMATION

Cost:            \$300.00 per individual (includes lunch, training manual & GST)

Payment:        Upon receipt of this registration form you will be sent an invoice along with payment details.

***FOR MORE INFORMATION CALL 1300 309 991***

Knorr-Bremse Australia Pty Ltd – 1/2D Factory Street Granville NSW 2142 Australia

Tel: 1300 309 991

[www.knorr-bremse.com](http://www.knorr-bremse.com)